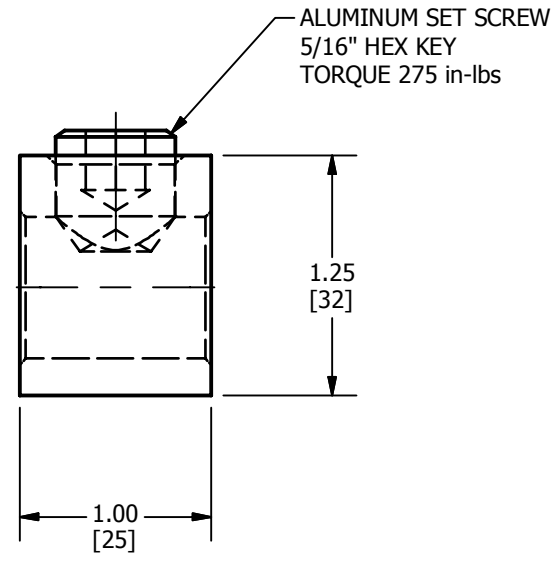
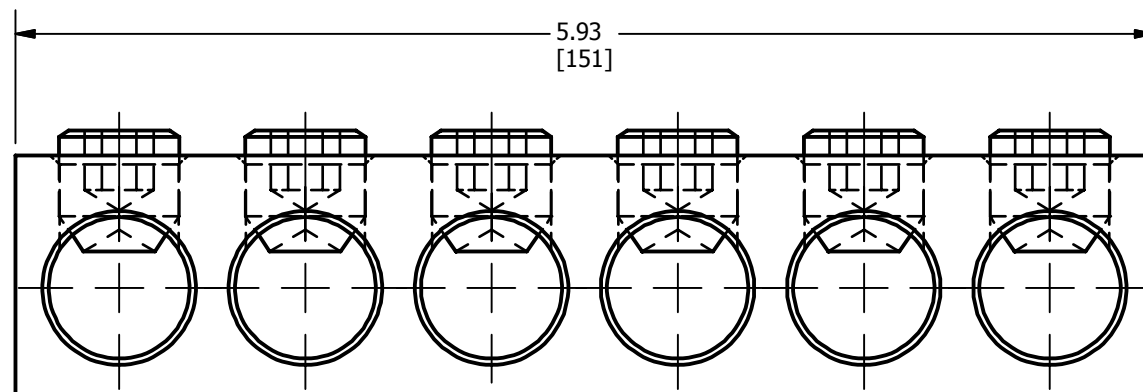
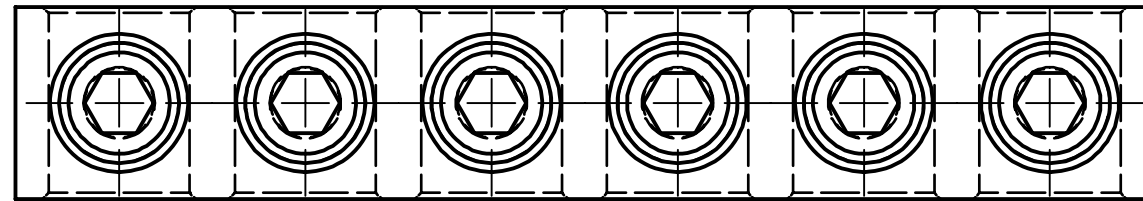
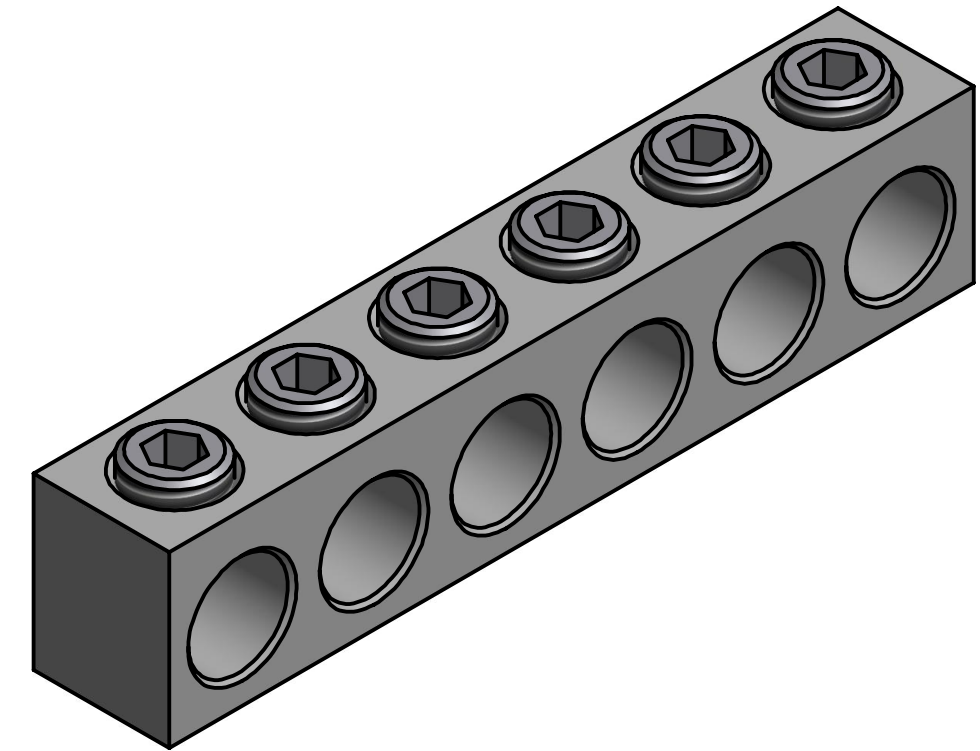


REV	DATE	DESCRIPTION	ECO	BY	C'H'K.
A	06/25/2015	CREATE NEW SALES DRAWING	40759	RG	MA






 BURNDY  
 BPD-6-350  
 10 SOL-350 KCMIL  
 CU-AL



**NOTES:**

1. DIMENSIONS IN BRACKETS [ ] ARE IN MILLIMETERS ROUNDED OFF TO THE NEAREST MILLIMETER, UNLESS OTHERWISE SPECIFIED AND ARE FOR REFERENCE ONLY.
2. MATERIAL:  
ALUMINUM ALLOY
3. FINISH:  
TIN PLATE
4. ACCOMMODATES:  
10 SOL.-350 kcmil

TO ORDER BURNDY® PRODUCTS CALL		6 PORT POWER DISTRIBUTION BLOCK, 350 SIZE															
UNITED STATES 1-800-346-4175 (LONDONDERRY, NH)		ITEM NO: 399010															
CANADA: 1-800-361-6975 (QUEBEC) 1-800-387-6487 (ALL OTHER PROVINCES)		CAT. NO: BPD6350															
FOR PRODUCT INFO: <a href="http://www.burndy.com">http://www.burndy.com</a>		<table border="1"> <tr> <td>DRAWN BY: C.RAJEEV GANDHI</td> <td>6/25/2015</td> <td rowspan="5" style="text-align: center; vertical-align: middle;"></td> </tr> <tr> <td>CHECKER: T.REYNOLDS</td> <td>7/15/2015</td> </tr> <tr> <td>DSN APRVL: T.REYNOLDS</td> <td>7/15/2015</td> </tr> <tr> <td>MFG APRVL: T.WAWRZYNIAK</td> <td>7/15/2015</td> </tr> <tr> <td>QA APRVL: J.HILMAN</td> <td>7/16/2015</td> </tr> <tr> <td>MKT APRVL: M.BAILLY</td> <td>7/16/2015</td> <td></td> </tr> </table>		DRAWN BY: C.RAJEEV GANDHI	6/25/2015		CHECKER: T.REYNOLDS	7/15/2015	DSN APRVL: T.REYNOLDS	7/15/2015	MFG APRVL: T.WAWRZYNIAK	7/15/2015	QA APRVL: J.HILMAN	7/16/2015	MKT APRVL: M.BAILLY	7/16/2015	
DRAWN BY: C.RAJEEV GANDHI	6/25/2015																
CHECKER: T.REYNOLDS	7/15/2015																
DSN APRVL: T.REYNOLDS	7/15/2015																
MFG APRVL: T.WAWRZYNIAK	7/15/2015																
QA APRVL: J.HILMAN	7/16/2015																
MKT APRVL: M.BAILLY	7/16/2015																
PROJ #:	SIZE	DRAWING NO	REV														
PROJECT #:		50061761	A														
DOCUMENT TYPE: SALES	B	SHEET 1 OF 1															
REL LEVEL: Released																	